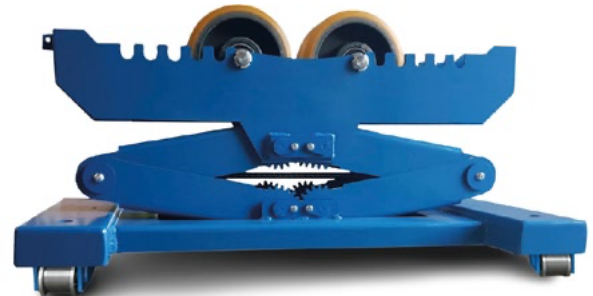
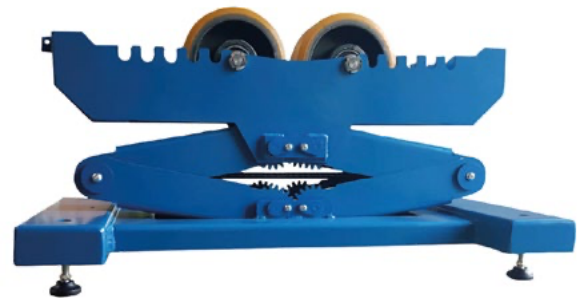
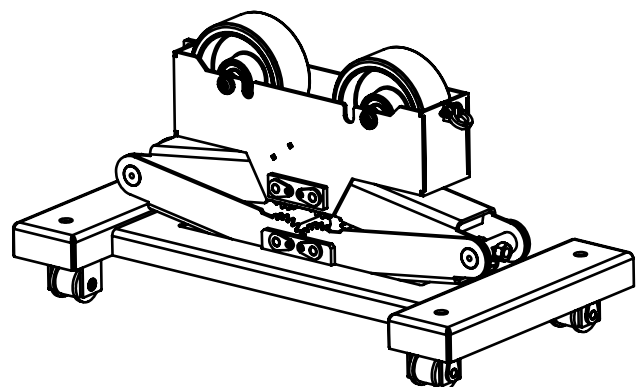
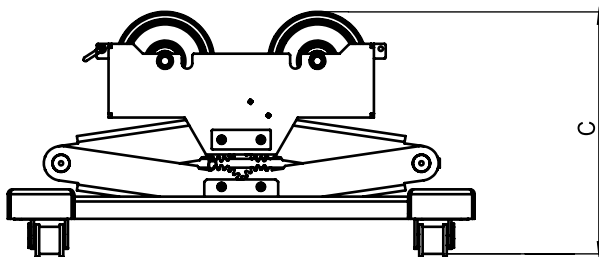
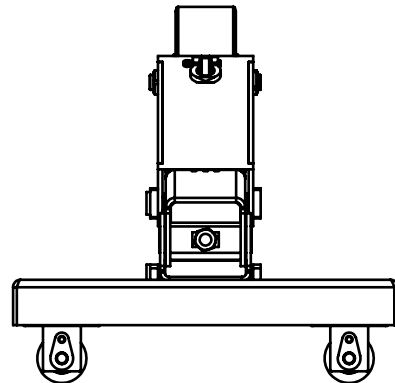
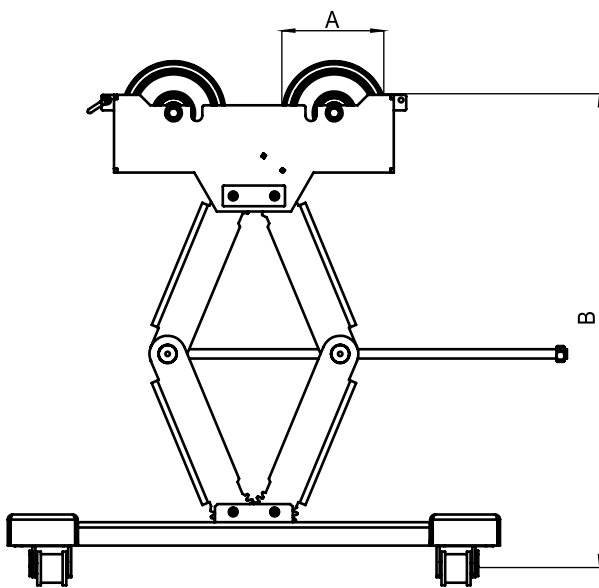


LIFT 1200

FISSO/SCORREVOLE





LIFT 1200

| | | |
|---|---------------------------------------|------------|
| WHEEL DIAMETER (A) | DIAMETRO RUOTE (A) | 200 mm |
| H MAX (B) | ALTEZZA MAX (B) | 962 mm |
| H MIN (C) | ALTEZZA MIN (C) | 433 mm |
| MAXIMUM CAPACITY | PORTATA MASSIMA | 1200 kg |
| ø MIN | DIAMETRO MINIMO RUOTABILE | 100 mm |
| ø MAX | DIAMETRO MASSIMO RUOTABILE | 1200 mm |
| WEIGHT | PESO | 110 kg |
| WHEEL CENTRE DISTANCE (SLIDING VERSION) | INTERASSE RUOTE (VERSIONE SCORREVOLE) | 800/950 mm |
| WHEEL MATERIAL | MATERIALE RUOTE | PU |